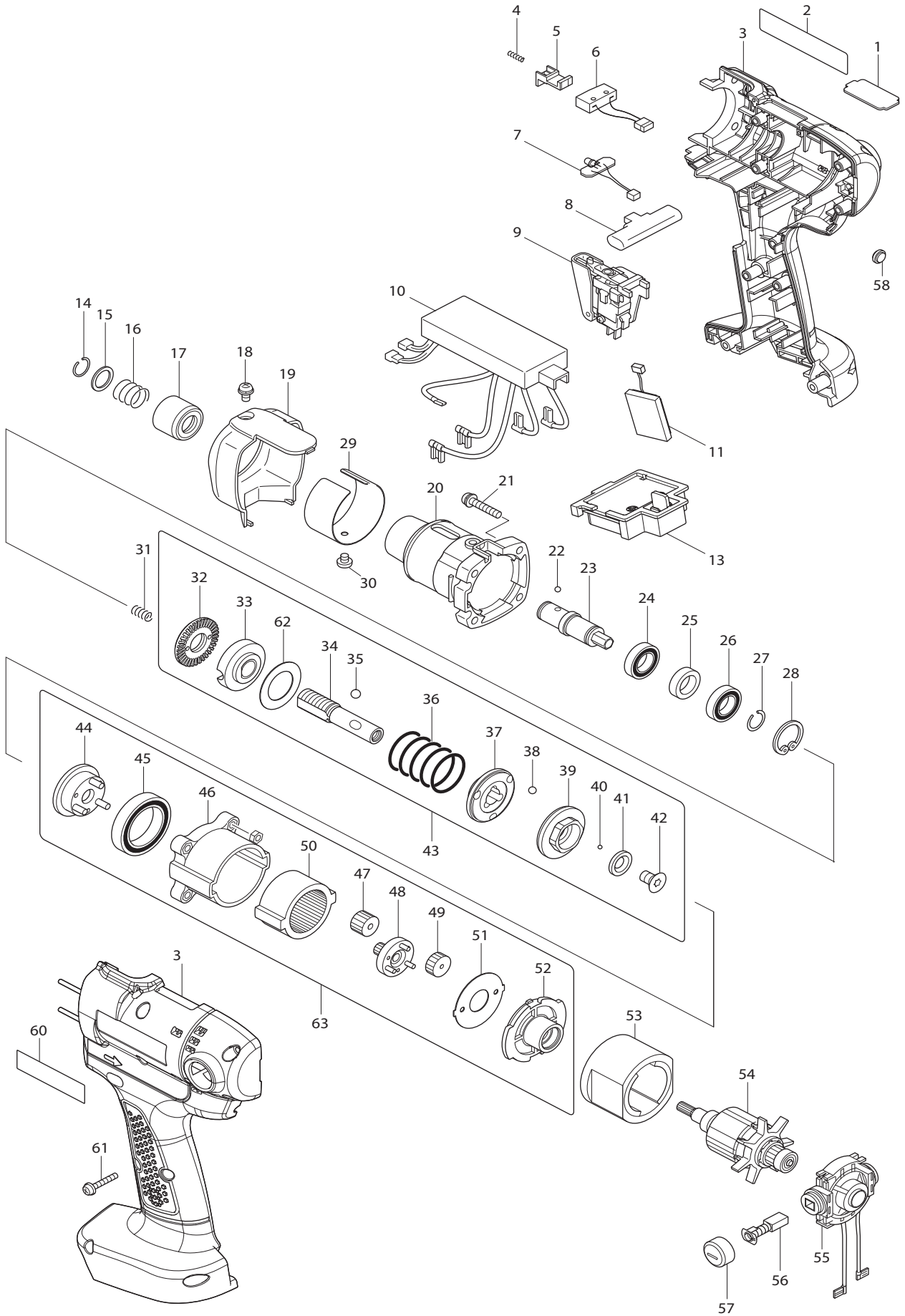




06 - 2016
DFT022FZ
14.4V SCREWDRIVER



Item No	Type	Part No	Description	Qty	Unit
1		345647-6	PLATE L	1	PC.
2		851L21-5	NAME PLATE F/DFT022F	1	PC.
3		187486-6	HOUSING SET	1	SET
	INC.		Item No. 60		
4		233025-1	COMPRESSION SPRING 2	1	PC.
5		418002-6	SWITCH LEVER	1	PC.
6		638274-9	SWITCH UNIT	1	PC.
7		631513-6	LED CIRCUIT	1	PC.
8		417511-2	F/R CHANGE LEVER	1	PC.
9		650536-5	SWITCH, TRIGGER C3Z-5-01	1	PC.
10		632A44-4	CONTROLLER UNIT	1	PC.
11		631514-4	BUZZER CIRCUIT	1	PC.
13		643828-9	TERMINAL	1	PC.
14		231965-7	RING SPRING 10	1	PC.
15		267143-3	FLAT WASHER 11	1	PC.
16		233005-7	COMPRESSION SPRING 13	1	PC.
17		162218-2	SLEEVE	1	PC.
18		265171-2	PAN HEAD SCREW M4X8	1	PC.
19		418289-0	CLUTCH CASE COVER	1	PC.
20		317694-7	CLUTCH CASE	1	PC.
21		265145-3	+ PAN HEAD SCREW M4X22 WITH RESIN	4	PC.
22		216019-1	STEEL BALL 3	2	PC.
23		324377-2	SPINDLE M	1	PC.
24		211136-2	BALL BEARING 6801LLB	1	PC.
25		257011-8	RING 12X28X5	1	PC.
26		211136-2	BALL BEARING 6801LLB	1	PC.
27		231951-8	RING SPRING 11	1	PC.
28		962111-8	RETAINING RING R-21	1	PC.
29		345648-4	RING 38M	1	PC.
30		265127-5	+ PAN HEAD SCREW M4X4	1	PC.
31		233019-6	COMPRESSION SPRING 5	1	PC.
32		324834-0	LOCK NUT M12	1	PC.
33		158408-3	ADJUST RING COMPLETE	1	PC.
34		324296-2	SPINDLE	1	PC.
35		216018-3	STEEL BALL 5.0	3	PC.
36		233447-5	COMPRESSION SPRING 19	1	PC.
37		223146-7	CAM D	1	PC.
38		216024-8	STEEL BALL 4	3	PC.
39		223143-3	CAM C	1	PC.
40		216019-1	STEEL BALL 3	13	PC.
41		267247-1	FLAT WASHER 7	1	PC.
42		266305-0	TORX (HEXLOBULAR) COUNTERSUNK HEAD SCREW M5X10	1	PC.
43		125398-5	CLUTCH ASSEMBLY K	1	PC.
	INC.		Item No. 32-42,62		
44		153443-6	CARRIER COMPLETE A	1	PC.
45		211375-4	BALL BEARING 6805LLB	1	PC.
46		418004-2	GEAR CASE	1	PC.
47		227050-2	SPUR GEAR 13	3	PC.
48		153446-0	SPUR GEAR 20 COMPLETE	1	PC.
49		227051-0	SPUR GEAR 19	3	PC.
50		227048-9	INTERNAL GEAR 47	1	PC.
51		267774-8	LOCK WASHER	1	PC.
52		418003-4	MOTOR BRACKET	1	PC.
53		638191-3	YOKE UNIT	1	PC.
54		619306-1	ARMATURE	1	PC.
55		638195-5	ENDBELL COMPLETE	1	PC.
56		195020-8	CARBON BRUSH CB-434 2PC/SET W/ORIGIN	1	SET
57		643933-2	BRUSH HOLDER CAP	2	PC.
58		419829-7	LENS	1	PC.
60		819216-4	MAKITA LOGO LABEL	1	PC.

Item No	Type	Part No	Description	Qty	Unit
61		265095-2	PAN HEAD SCREW M3X20 WITH RESIN	8	PC.
62		267276-4	FLAT WASHER 18	1	PC.
63		125191-7	GEAR ASSEMBLY	1	PC.
E01	INC.	802J50-9	Item No. 44-52 CAUTION LABEL	1	PC.
ACCESSORIES		- See Catalogue or visit www.makita.ca for more accessories -			
A01		765027-4	TORQUE ADJUST TOOL	1	PC.
A02		193874-7	GRIP BASE SET	1	PC.
A03		273443-1	GRIP 37	1	PC.
A04		418423-2	PROTECTOR(YELLOW)	1	PC.
		418424-0	PROTECTOR(BLUE)	1	PC.
		418425-8	PROTECTOR(RED)	1	PC.
		450331-1	PROTECTOR(CLEAR)	1	PC.
A05		-----	14.4V LI-ION BATTERY		
A06		-----	BATTERY CHARGER		
A07		-----	LI-ION BATTERY ACCESSORIES		
A08		193681-8	REFRESHING ADAPTER ADP03 ANTI KICK BACK HEAD M ASSY (EN Label) - SPECIAL	1	PC.
A09		195231-5	ORDER	1	PC.